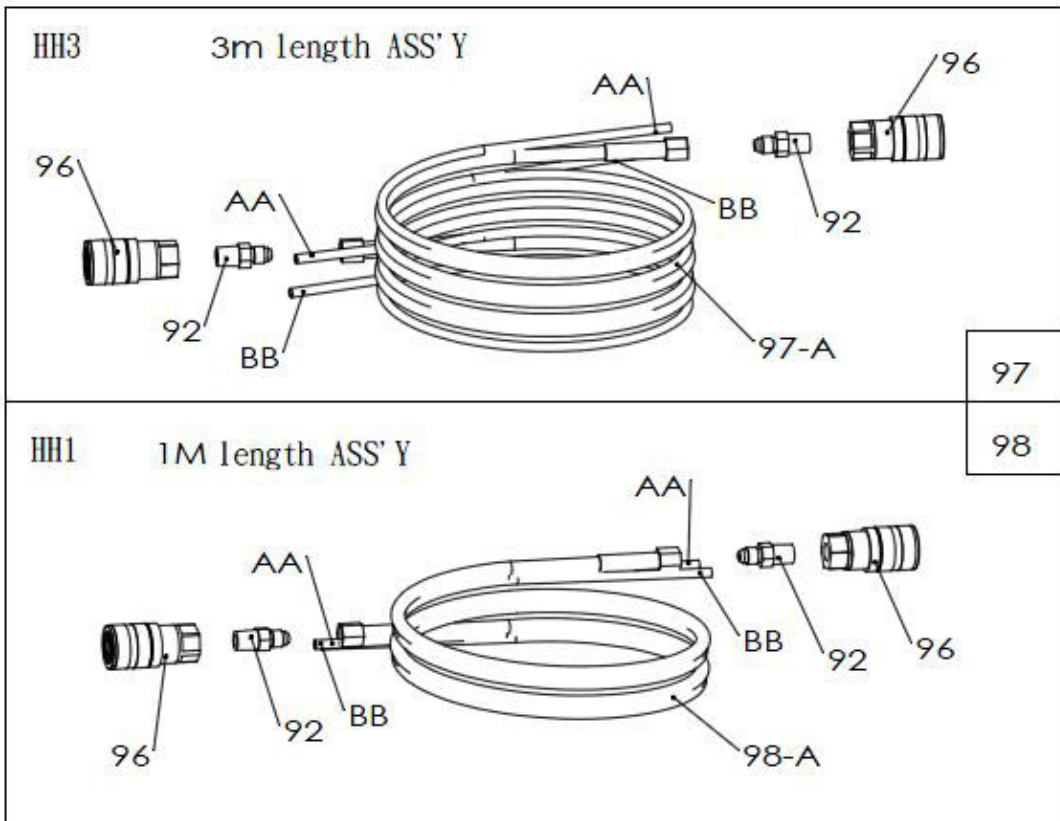
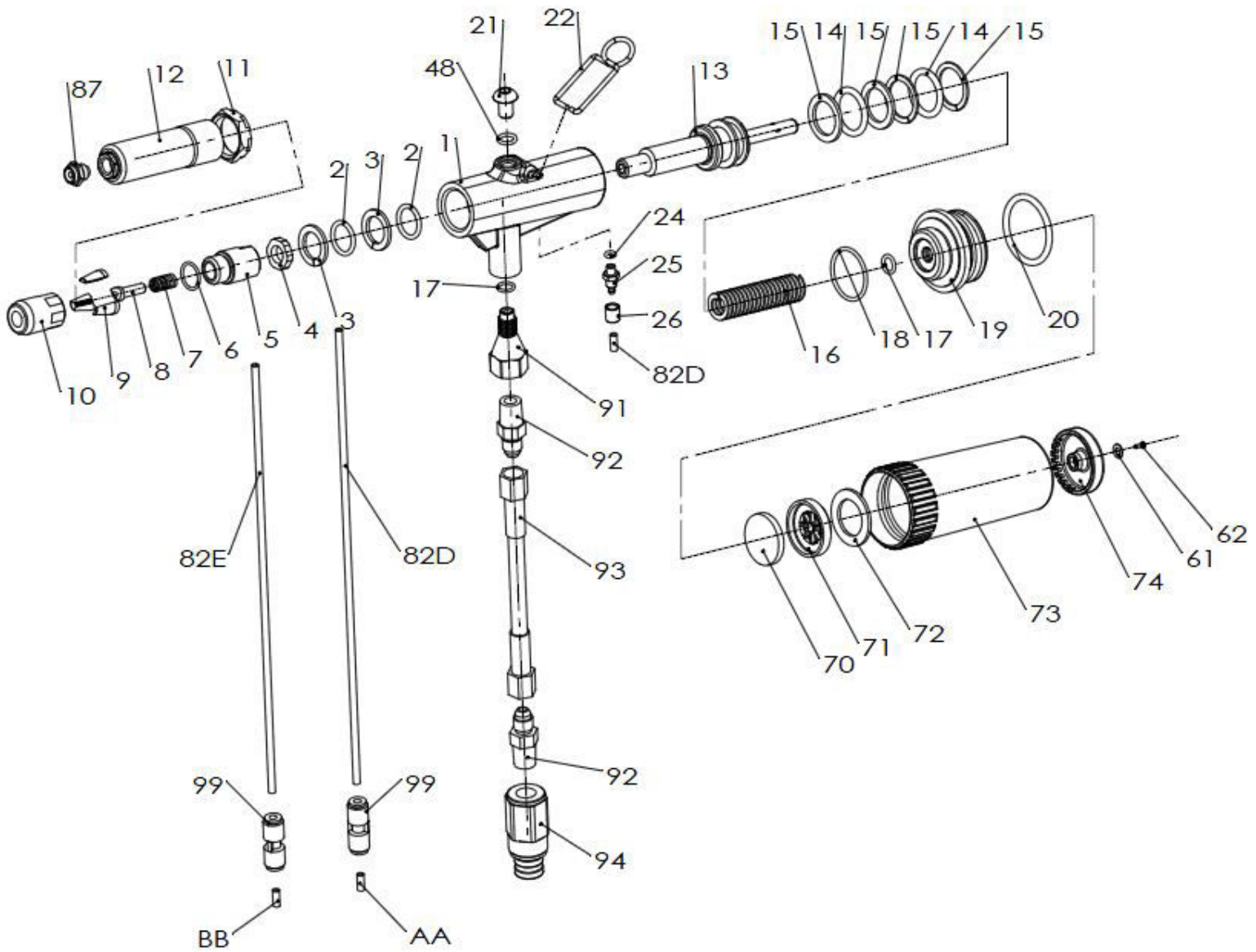
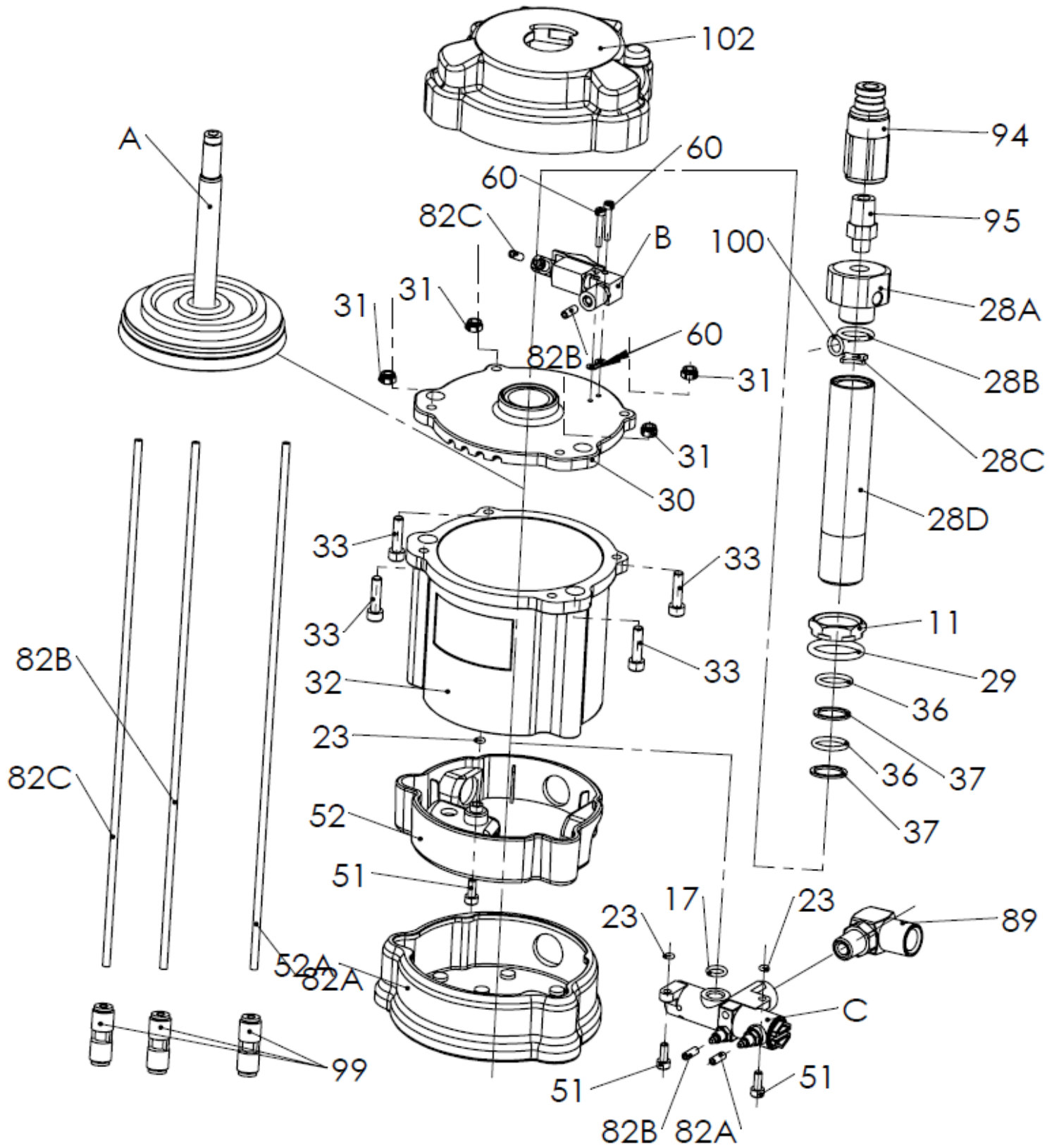


ZT2420-8S 5/16" (7.8MM) Split Type Air Hydraulic Riveter



ZT2420-8S 5/16" (7.8MM) Split Type Air Hydraulic Riveter



ZT2420-8S 5/16" (7.8MM) Split Type Air Hydraulic Riveter

TECHNICAL DATA	Traction Power lbf(kgf)	:	5200(2400)
	Stroke Length mm	:	20
	Handle Net Weight lbs(kgs)	:	2.75 (1.25)
	Nosepieces Equipped inch(mm)	:	5/16(7.8)
	Max. Capacity	:	Max. 5/16"(7.8mm)structural rivets in all materials

P A R T S L I S T

Index	Part #	Description	Index	Part #	Description
1.	202101R	Hydraulic Section	.53.	922701	Vacuum Valve
*2.	OR1217	O-RING (2)	54.	922702	Sleeve
*3.	BR1217	Back-Up Ring (2)	55.	OR0811	O-RING (2)
4.	202306	Nut	56.	PW0510	Washer
5.	202305	Jaw Housing Coupler	57.	612712	Swivel
6.	OR1417	O-RING	58.	612713	Socket
7.	202308	Spring	59.	922703	Vacuum Switch
8.	202302	Jaw Pusher	60.	HC00305020	Set Screw (2)
*9.	202303	Jaw (3)	61.	PW0306	Washer (7)
10.	202304	Jaw Hosing	62.	ST0310	Screw
11.	819106	Lock Nut	62A.	HC00305006	Set Screw (4)
12.	819105	Head	63.	107602	Valve Body
13.	242301	Hydraulic Plunger (5.6mm ID)	64.	107601	Bleeding Valve
*14.	OR2835	O-RING (2)	65.	107201R	Trigger
*15.	BR2835	Back-Up Ring (4)	66A	202107R	Plastic Grip-Right
16.	202309	Return Spring	68A	202107L	Plastic Grip-Left
17.	OR0812	O-RING (2)	70.	919904	Silencer
18.	OR3034	O-RING	71.	919903	Muffler Seat
19.	202102	Rear Gland	72.	919905	Silencer
20.	OR3542	O-RING	73.	919901	Mandrel Collector
21.	HR00812508	Set Screw	74.	919906	Muffler Cap
22.	258801	Hanger	75.	612901	Deflector
23.	OR0306	O-RING (8)	76	258702C01	200mm PU Tube (2)
24.	612714	Washer (6)	77.	612904	Multi-Wrench (A)
25.	612717	Socket (5)	78.	918905	Multi-Wrench (B)
26.	612711	Cap (6)	79.	314755	5mm Hex. Wrench
27.	520106	Nut	80.	9229061	60CC Oiler
28A.	927802	Adaptor	81A.	144905	17x19 Wrench (2)
28B	OR1417	O-RING	81B.	144906	19X21 Wrench
28C	8211012	Hydraulic Tube Washer	82A	202704A	2.5x4 PU Hose(Black)
28D	2021081	Hydraulic Tube Connector-A	82B	202704B	2.5x4 PU Hose(Orange)
28E	5201083	Washer	82C	202704C	2.5x4 PU Hose(Orange)
29.	OR2025	O-RING	82D	922704D	2.5x4 PU Hose(Black)
30.	202401RA	Upper Cover	82E	922704E	2.5x4 PU Hose(Orange)
31.	NN005080	Nut (4)	83	9229060	Adaptor(2)
32.	202403RZ	Air Cylinder Body	87.	819709SUS	Nose Piece 5/16" (8mm)
33.	HC00508020	Set Screw (4)	89.	92L2	Air Inlet Assembly
*36.	OR1621	O-RING (2)	90	2021SK	Service Kit (opt.)
*37.	BR1621	Back-Up Ring (2)			(No.02.03.09.14.15.36.37.46. 48.49.99)
40.	202501	Plunger Rod	91	9207601	Hydraulic cylinder adaptor
41.	202505	Bumper Ring	92	9207602(4)	Hydraulic tube adaptor
42A.	202504	Front Head Disc A	93	920801	Hydraulic Hose - Handle
42B	202503	Front Head Disc B	94	9207603	Hydraulic Male Quick Coupler(2)
43.	920505	Packing Ring	95	9207604	Adaptor
44.	202502	Lower Plate	96	9207605	Hydraulic Female Quick Coupler (2)
45.	919211	Valve Case	97	HH3	3m length hydraulic hose set w/quick coupler
*46.	OR0408	O-RING (2)	97-A	H3	3m length hydraulic hose
47.	919202A	Valve Stem	98	HH1	1m length hydraulic hose set w/quick coupler
*48.	OR0711	O-RING (2)	98-A	H1	1m length hydraulic hose
*49.	OR1014	O-RING (2)	99	9207606(4)	Pneumatic Quick Coupling
50.	107409	Inlet Plug	100	OR0609	O-RING
50A.	922409	Socket Screw	101	CHBT-004	Pouch (standard for 1M length)
51.	HC00407010	Set Screw (3)	102	202409	protection cap
52.	202402	Base			
52A	202404	Rubber Boot			