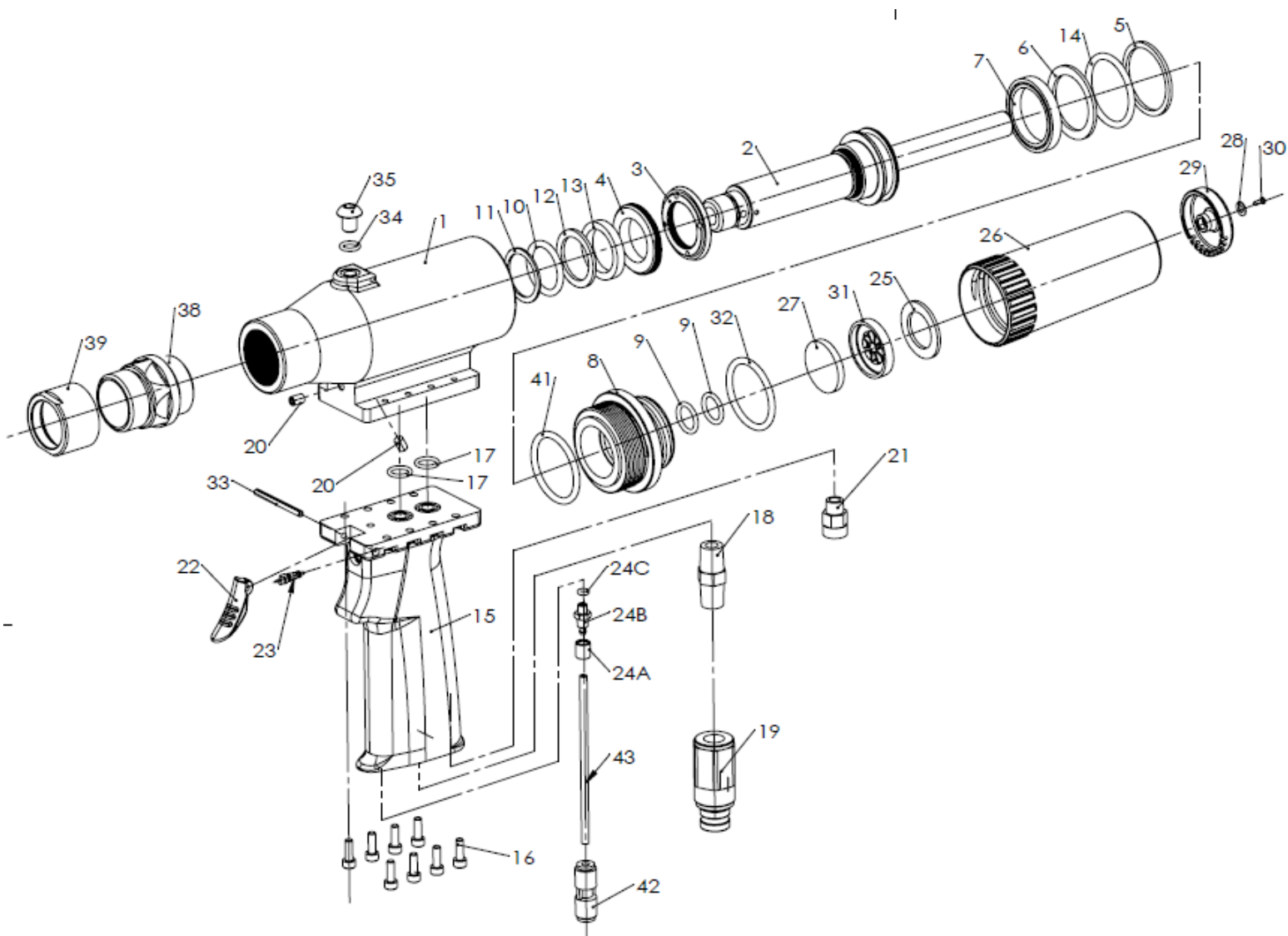


# ZT4125S 3/8" (9.5mm) Split Type Pneudraulic Installation Tool

## 4520P Hydraulic Pulling Head w / Pneumatic Switch



## 4520P Hydraulic Pulling Head w / Pneumatic Switch

<b>TECHNICAL DATA</b>	Traction Power	lbF(kgF)	: 7700 (3500)
	Max. Pulling Stroke Length	mm	: 48
	Handle Net Weight	lbs (kgs)	: 4.4 (2)
	Maximum air pressure	PSI (kg/cm <sup>2</sup> )	: 90 (6.3)
	Maximum hydraulic pressure	PSI (kg/cm <sup>2</sup> )	: 5400 (380)

### PARTS LIST

Index	Part #	Description	Index	Part #	Description
1	452001	Hydraulic Section	21	PT18A06	Plastic Quick Connector
2	452008-A	Hydraulic Plunger	22	502601	Trigger
3	452504	Packing tailgate	23	107601	Bleeding Valve
4	452005-A	Retaining ring nut	24A	612711	Cap
5	BR3945	Back-Up Ring	24B	612717	Socket
6	BR3545	Back-Up Ring	24C	612714	Washer
7	MS3545	PACKING	25	919905	Silencer
8	452506	Rear Gland	26	919901	Mandrel Collector
9	OR1418	O-RING(2)	27	919904	Silencer
10	OR2025	O-RING	28	PW0306	Washer
11	BR2025	Back-Up Ring	29	919906	Muffler Cap
12	BR2028	Back-Up Ring	30	ST0310	Screw
13	MS2028	O-RING	31	919903	Muffler Seat
14	OR3945	O-RING	32	OR3541	O-RING
15	502803	Modeling grip (Air)	33	SP3040	Spring pin
16	HC00407012A	Set Screw(8)	34	OR0811	O-RING
17	OR1014	O-RING(2)	35	HR00812508	Set Screw
18	42250701	Hydraulic Female Quick Coupler	38	424509	Head
19	9207603	Hydraulic Male Quick Coupler	39	321103	Lock Nut
20	HS0050808	Set Screw(2)	40	4225SK	Service Kit (opt.) (No11.10.12.13.7.6.14.5.17.34)
			41	OR3741	O-RING
			42	9207606	Pneumatic Quick Coupling2.5x4
			43	166704E	PUHose(Pull)-Black(100mm)